

20/21
PRODUCTS

Product Catalogue

Volume Damper

Type (VDM)



Khedr Trust
ALL AIR PRODUCTS

Volume Damper products are manufactured by



“ Your comfort is
our priority ”

www.khedr-eg.com





Models

Toothed Wheel

- VDM-T "Toothed Wheel Volume Damper"

Linkage Mechanism

- VDM-R "Rectangular Volume Damper"
- VDM-C "Circular Volume Damper"



Features

- Suitable for manual and motorized operation.
- Non-Spring Direct coupled actuators are used for motorized operation.



Volume Damper

Model Design

Khedr Models VDM Volume Damper are designed to regulate and balance the amount of air required.

Aluminum blades

Khedr Model VDM blades allowing a laminar flow across the blades.

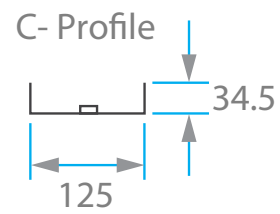
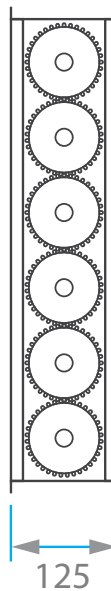
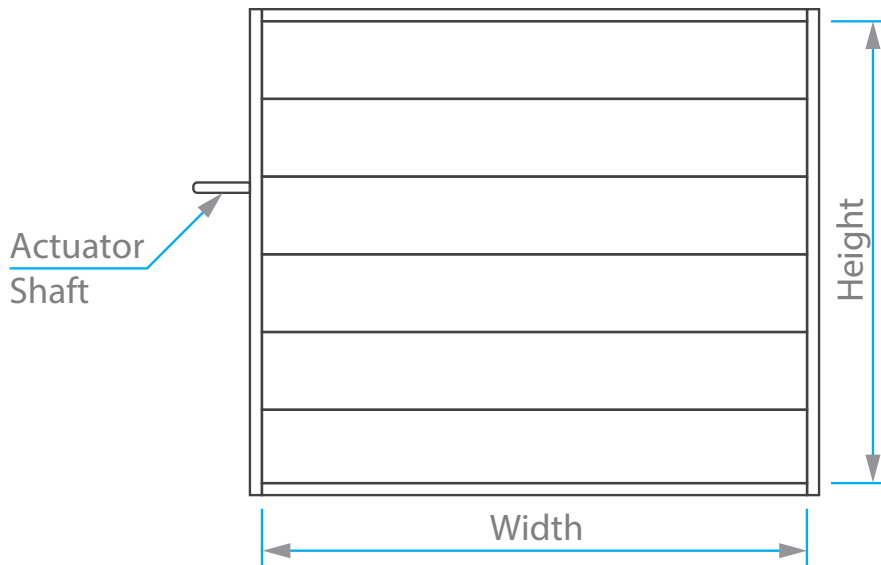
Installation

Khedr Models VDM are suitable to use in vertical or Horizontal installation.

- Construction & Specs.

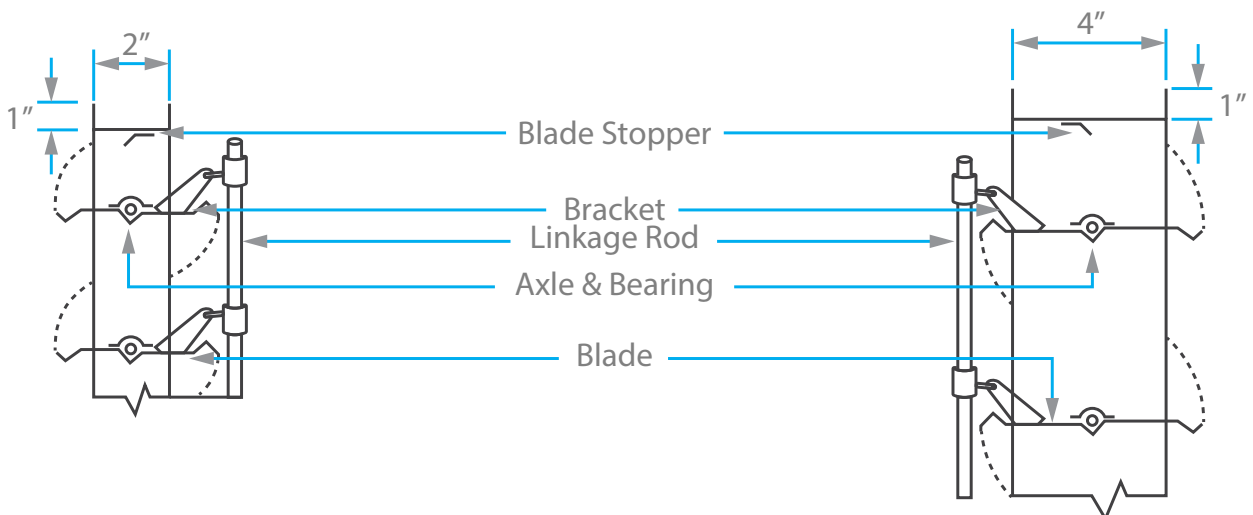
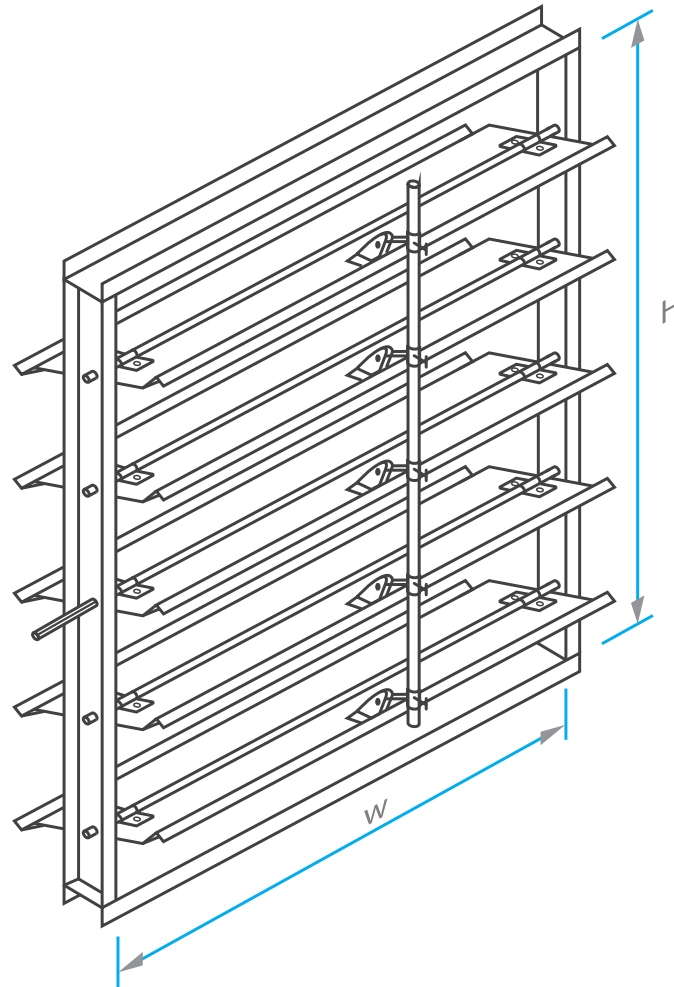
- Type (VD-T) - Toothed Wheel Blade Type

- Frame and Blades of toothed volume control damper are extruded aluminum.
- Concealed gear train in high grade construction.



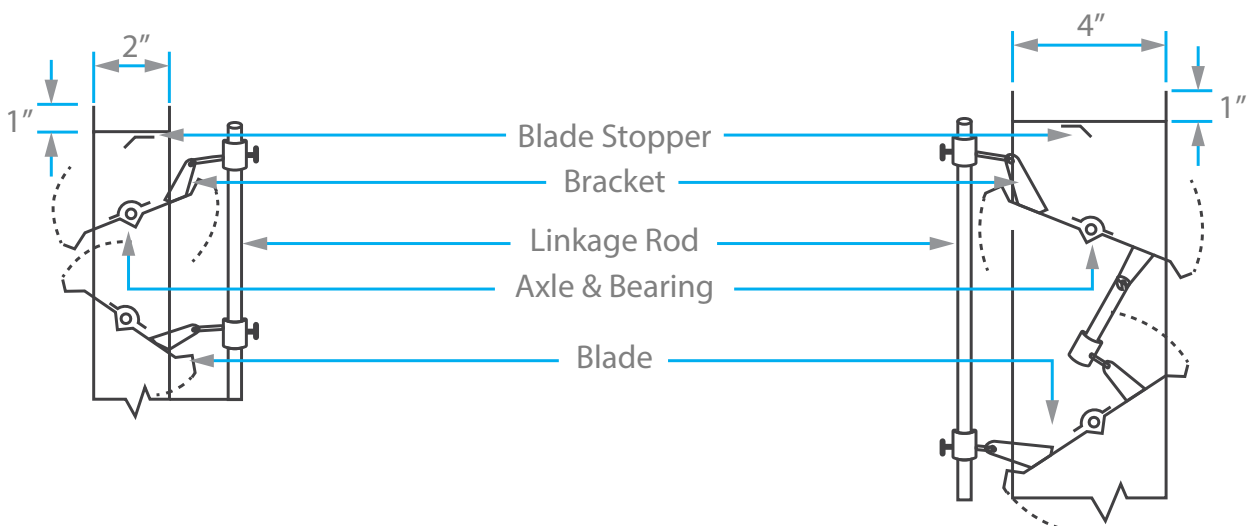
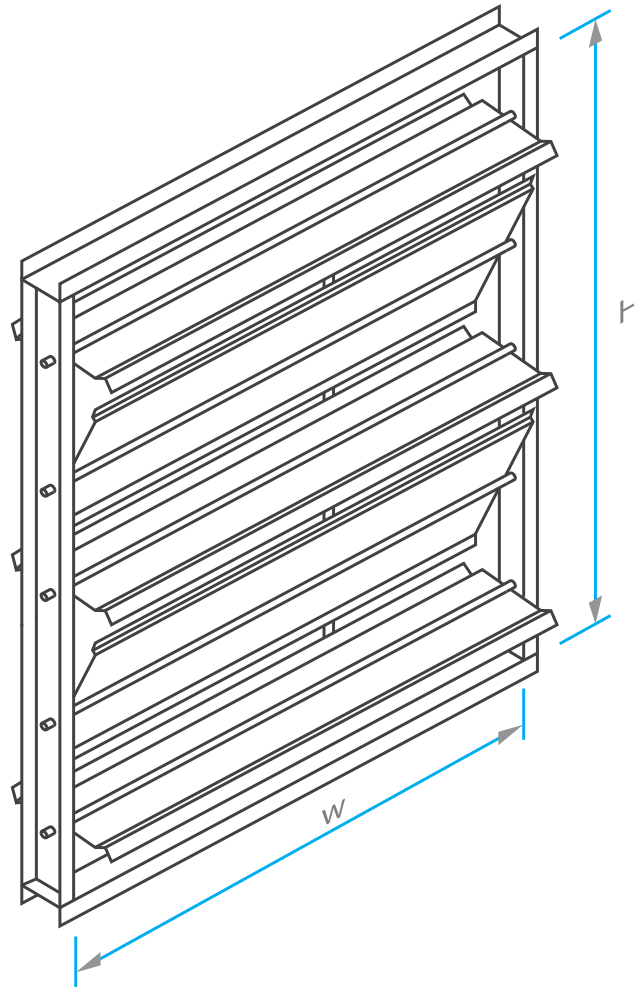
- Type (VDM-R) - Rectangular Parallel Blade Type

- 16 Ga Galvanized Steel Frame with welded corners.
- 16 Ga Galvanized Steel Blades reinforced with longitudinal vees.



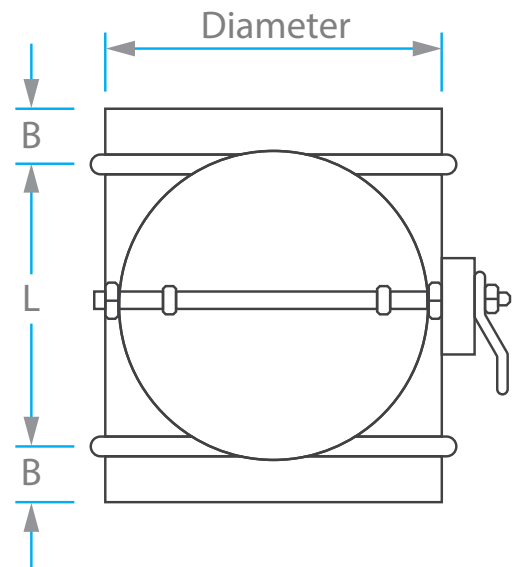
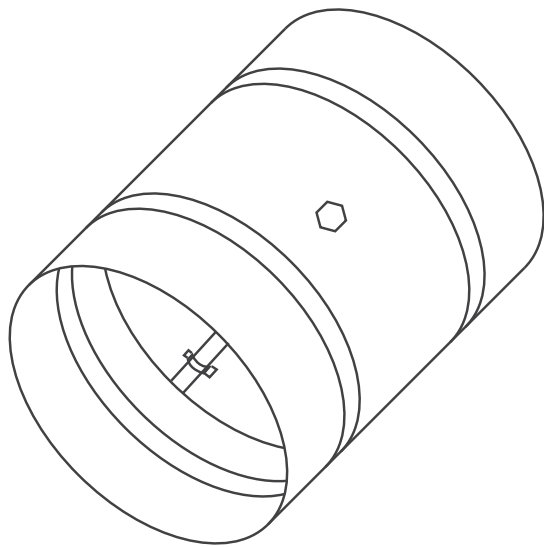
- Type (VDM-R) - Rectangular Opposed Blade Type

- 16 Ga Galvanized Steel Frame with welded corners.
- 16 Ga Galvanized Steel Blades reinforced with longitudinal vees.



- Type (VDM-C) - Circular Type

- 16 Ga Galvanized Steel Frame.
- 16 Ga Galvanized Steel Blade.



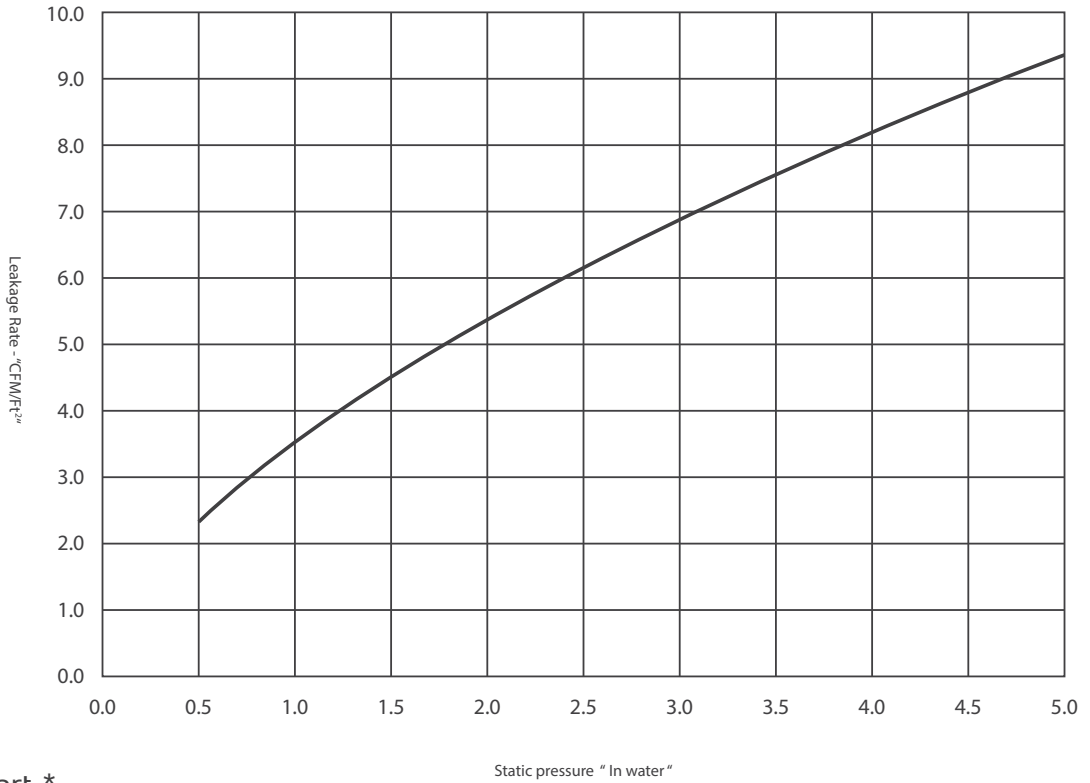
Diameter Range	L	B
0" to 9 7/8"	Dia. + B	1 6/9"
9 7/8" to 23 5/8"		2"
23 5/8" to 35 7/16"		2 7/8"
35 7/16" to Up		4"

Volume Damper products are manufactured by Khedr Trust Co

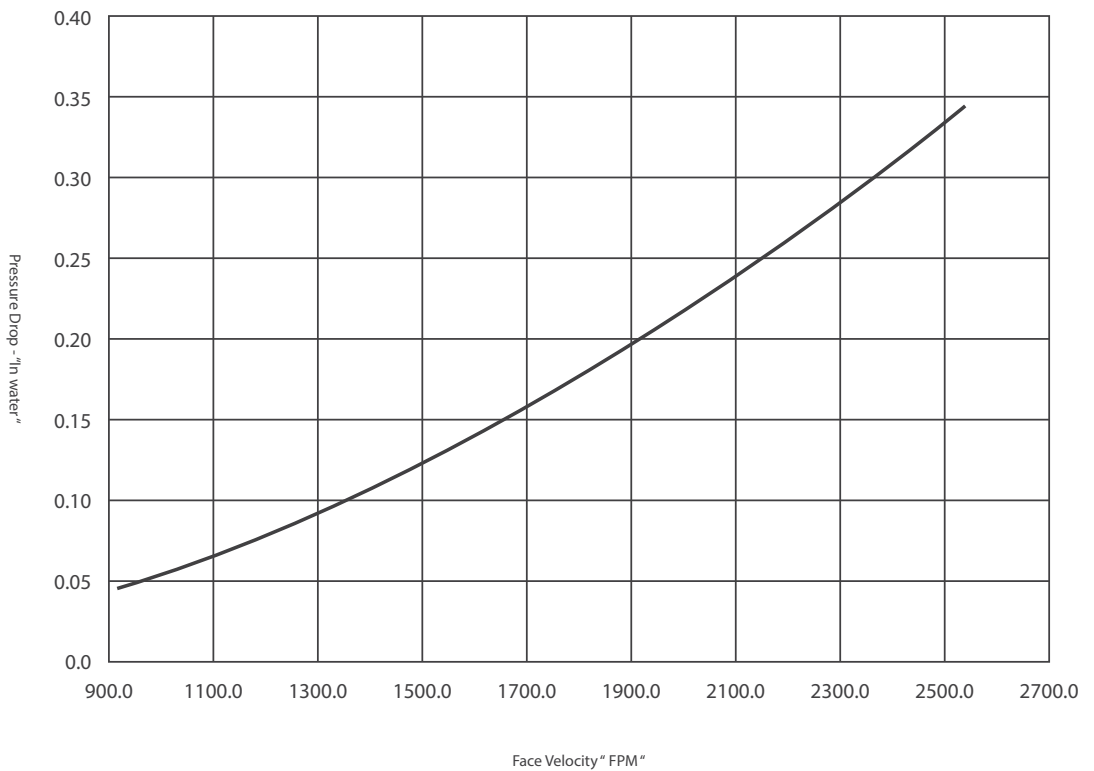
- Aerodynamic Data

- A. Type (VD-T) - Toothed Wheel Blade Type

1. Leakage Chart



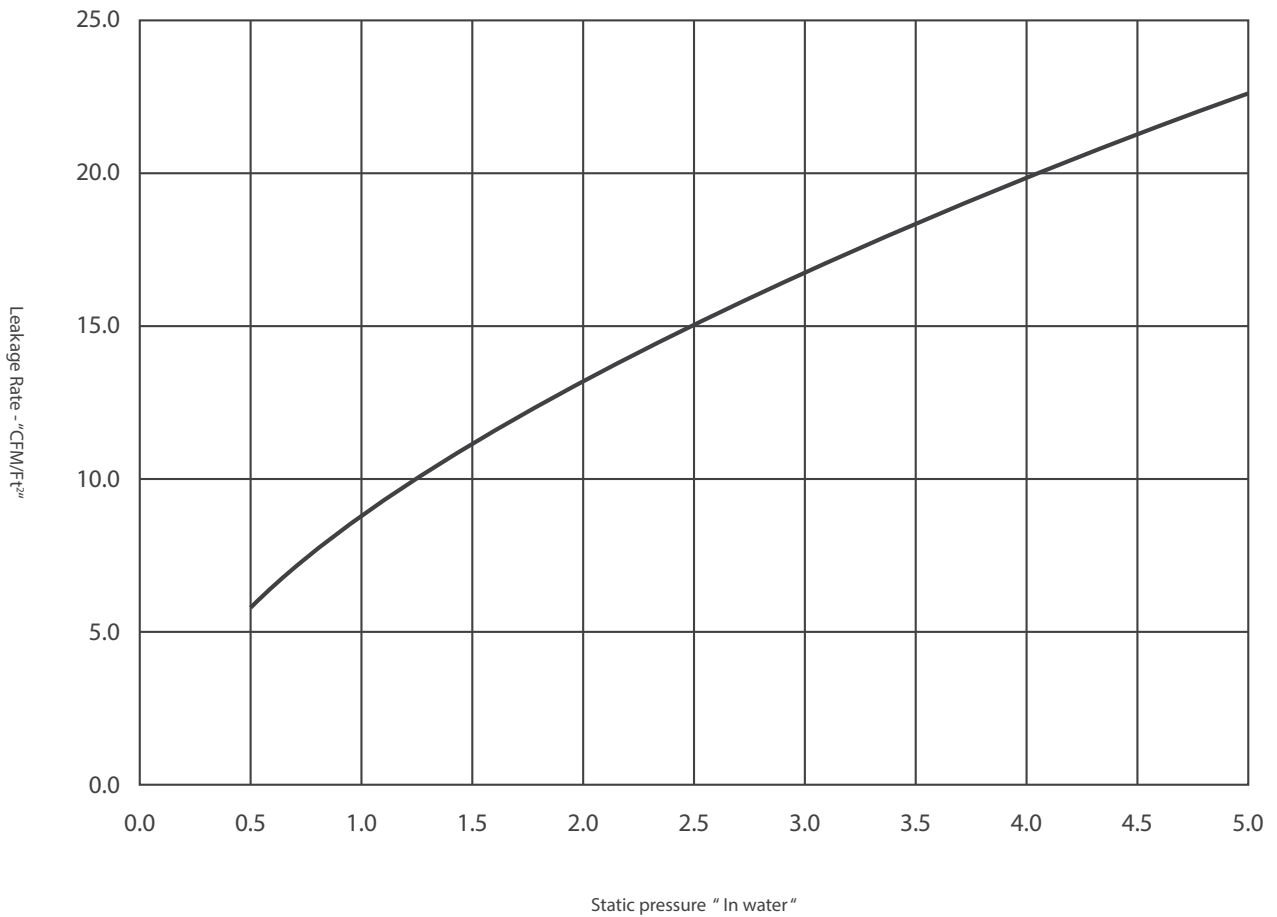
2. Pressure Drop Chart *



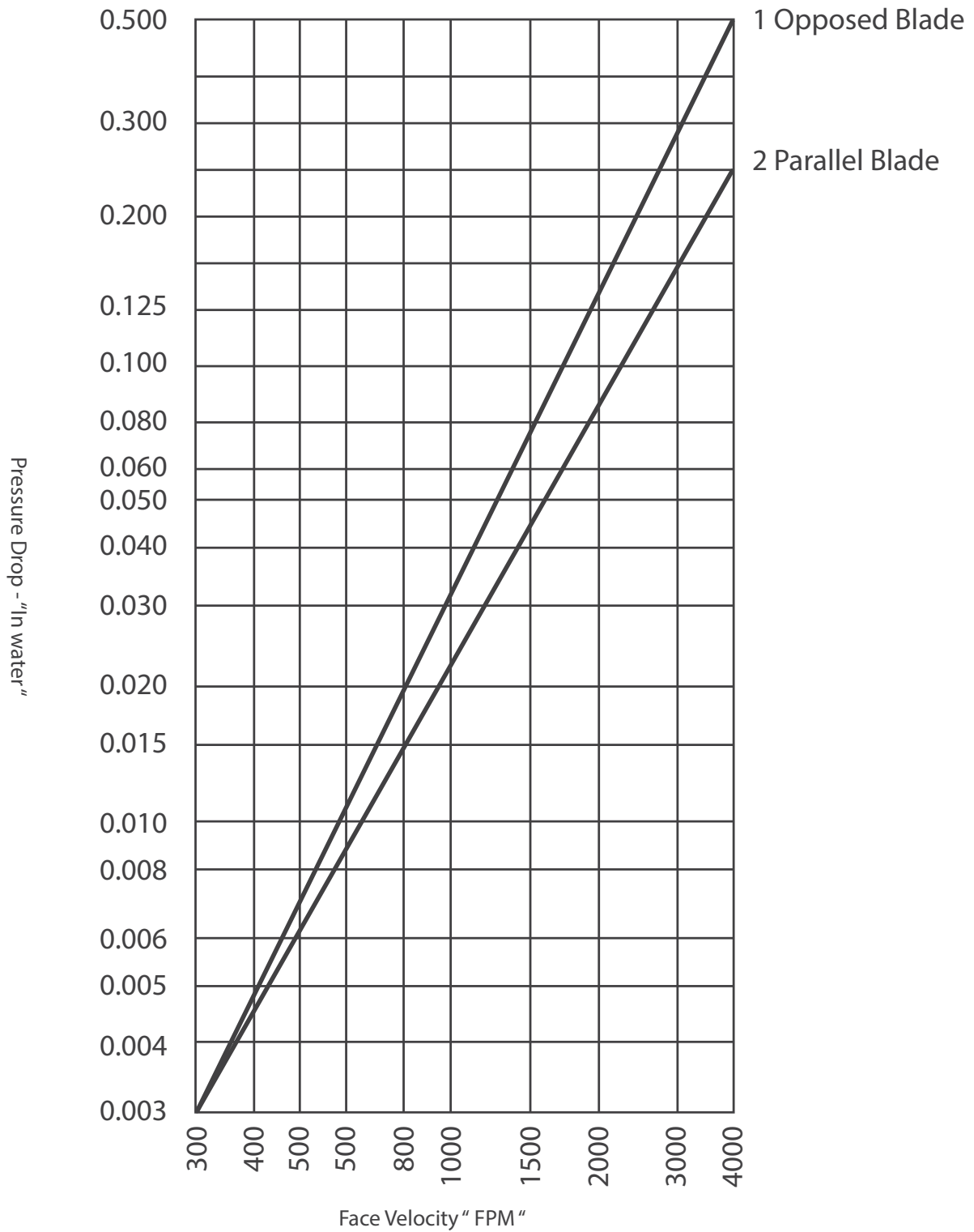
* Damper in Full Open Position

- B. Type (VD-R) - Rectangular Volume Damper

1. Leakage Chart



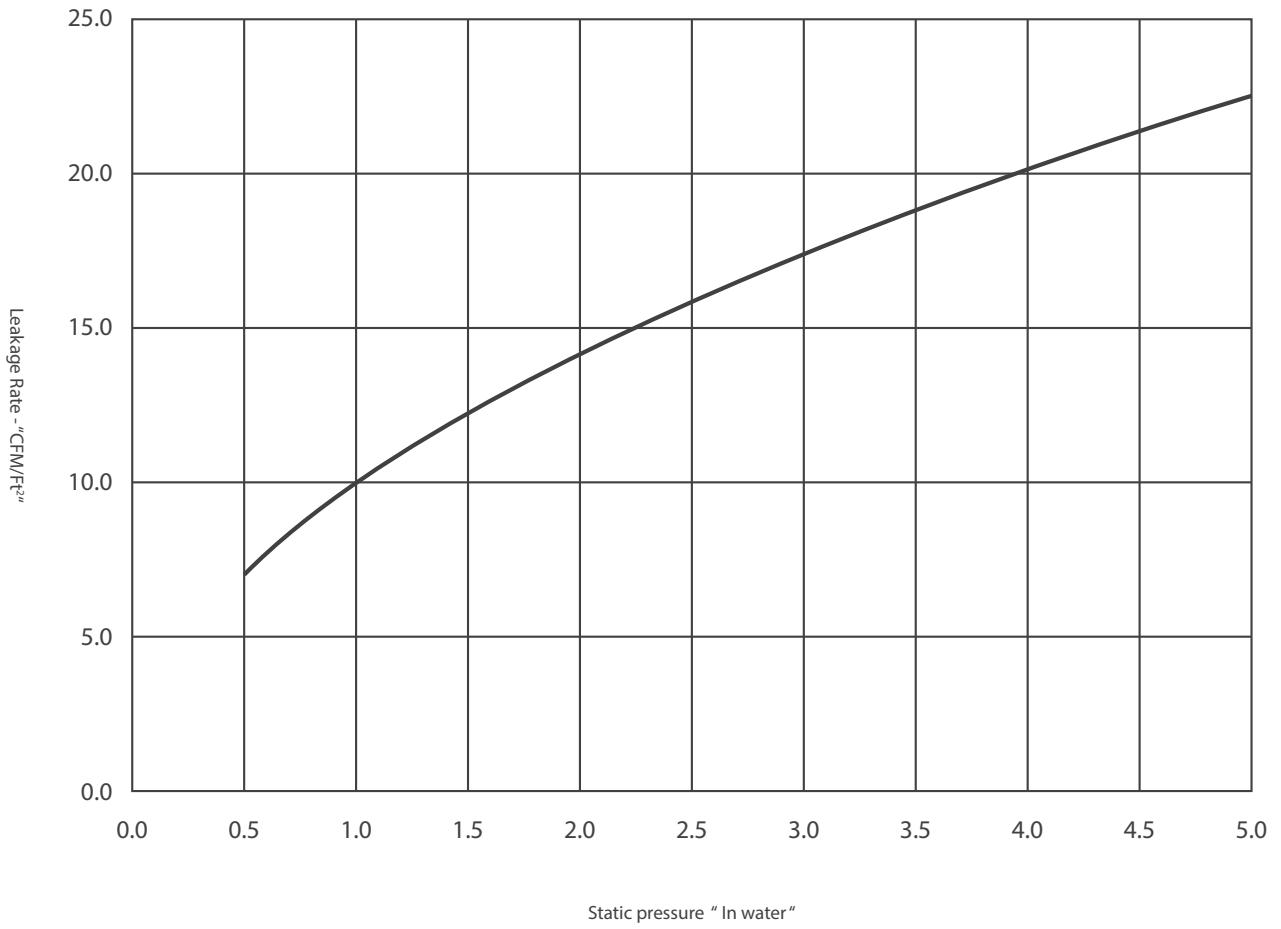
2. Pressure Drop Chart *



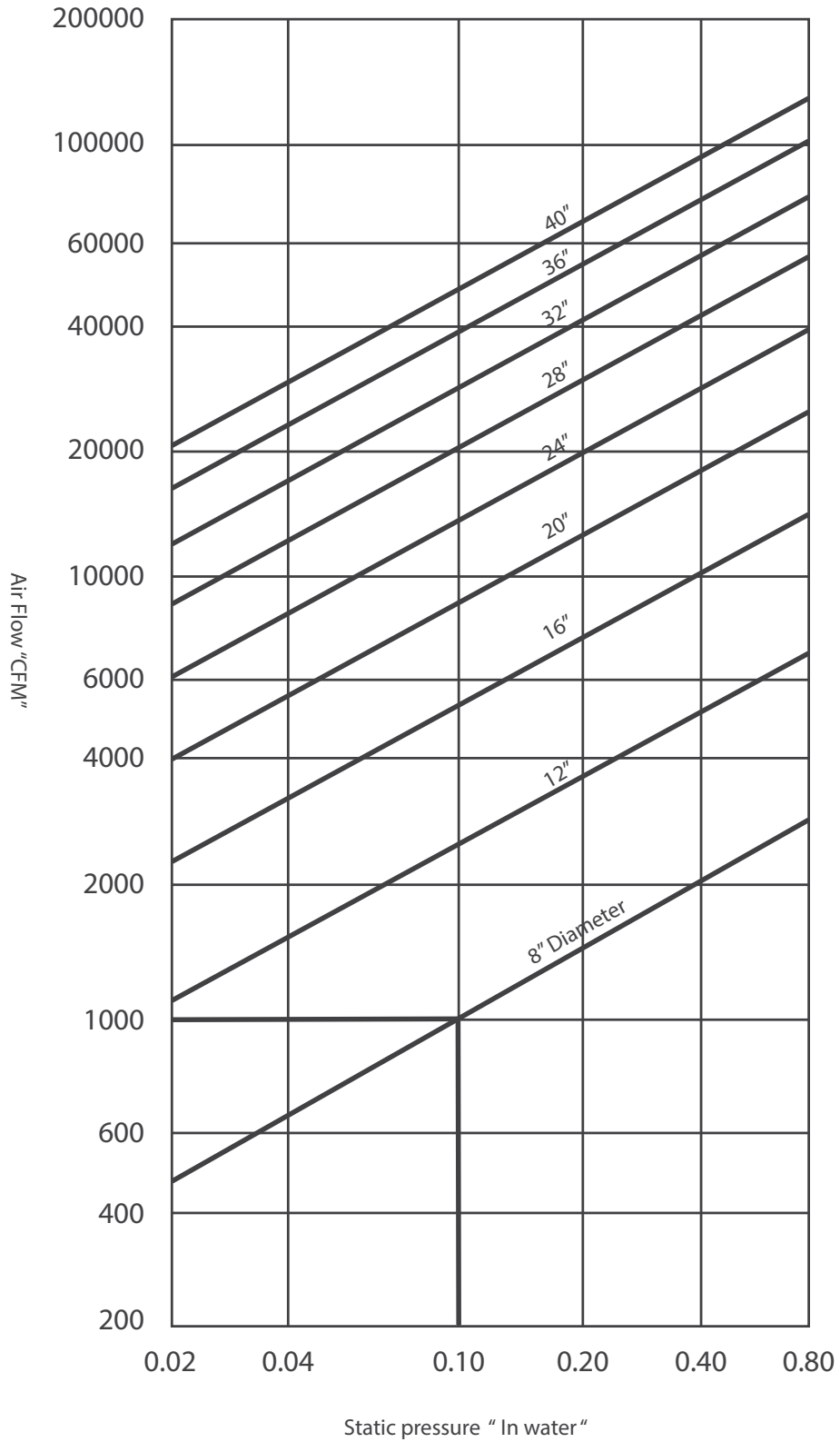
* Damper in Full Open Position

- C. Type (VD-C) - Circular Volume Damper

1. Leakage Chart



2. Pressure Drop Chart *



* Damper in Full Open Position

- How to order

Type	VDM-R	VDM-T VDM-R VDM-C	Toothed Wheel Volume Damper Rectangular Volume Damper Circular Volume Damper	Volume Damper products are manufactured by Khedr Trust Co.
Blade	P	P O	Parallel Blades Opposed Blades	
Size	24 X 24	Size "Inch"		

Other Products are provided by Khedr Trust Co.

Diffusers & Grills

Slot Linear Diffuser
Eye Ball Diffuser
Circular Ceiling Diffuser
Swirl Diffuser
Perforated Ceiling Diffuser
Jet Diffuser
Square Ceiling Diffuser
Disc Valve Diffuser
Linear Bar Grill
Supply / Return Grill
Door Grill

Louvers

Aluminum Louver
Sand Trap Louver

Dampers

Volume Damper
Fire Damper
Smoke Motorized Damper
Shutter Damper
Pressure Relief Damper

Special Parts

Sound Attenuator
Plenum Box

Duct Works

Galvanized Steel Duct
Black Steel Duct
Stainless Steel Duct
Spiral Duct
Flexible Duct
Canvas
Flanges
Flexible Duct Connector



Khedr Trust

ALL AIR PRODUCTS



Alqanater Alkhairia roads.Industrial Area. Behind Cocacola Co.. Cairo, Egypt

Mailing Address : P.O.Box 13621. Cairo 11511 - Egypt

Tel : +202 42452022

Mob : +2010 29999054 / +2010 29999056

+2010 29999057 / +2010 29999058

E-Mail : info@khedr-eg.com



www.khedr-eg.com

